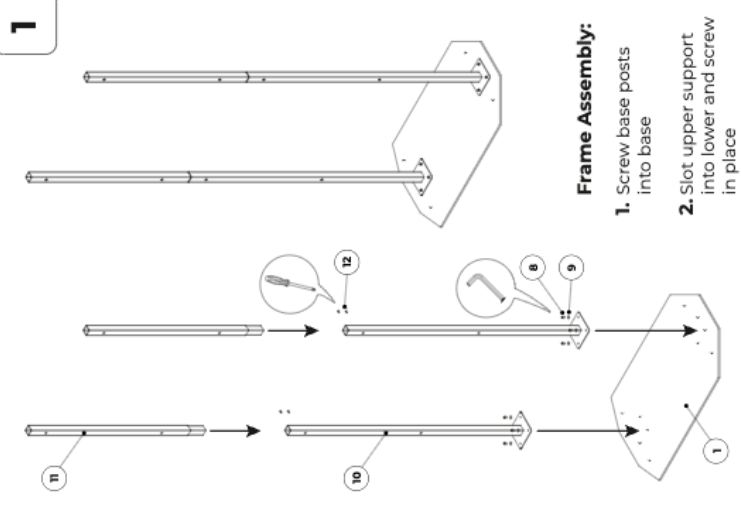


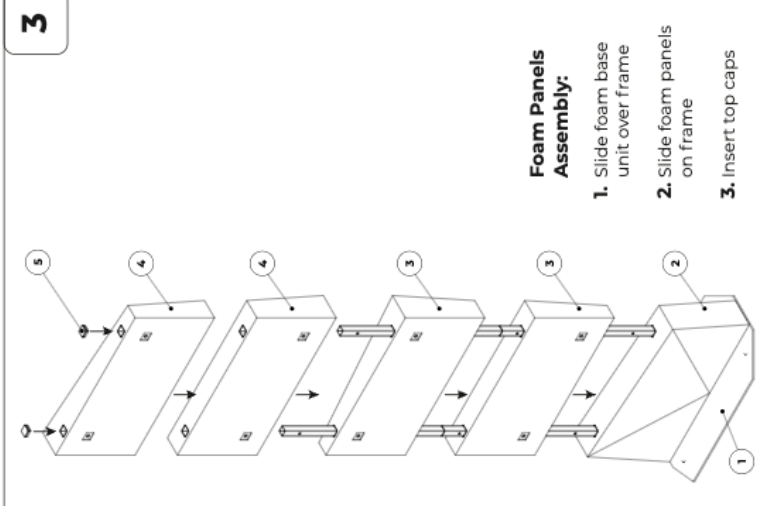
**Wheels or Levelling Feet (Optional\*):**

1. Tip over the frame
2. Screw the wheels / levelling feet onto the base
3. Place the frame upright



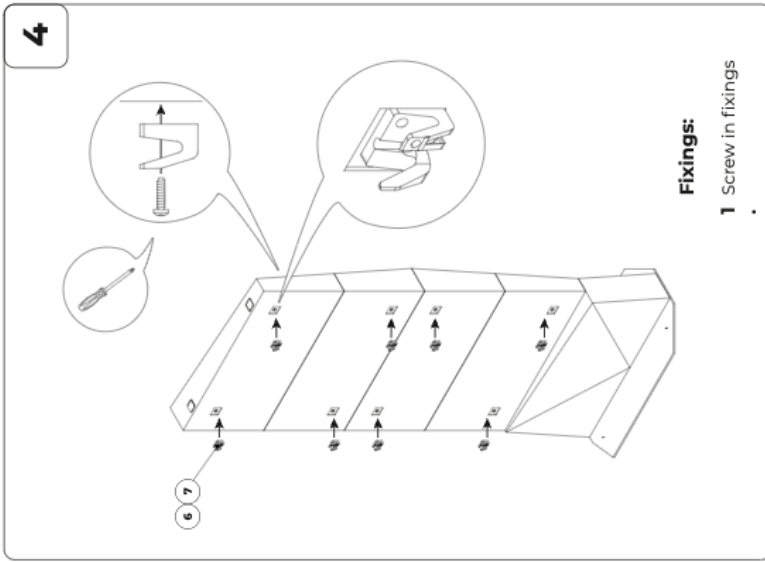
**Frame Assembly:**

1. Screw base posts into base
2. Slot upper support into lower and screw in place



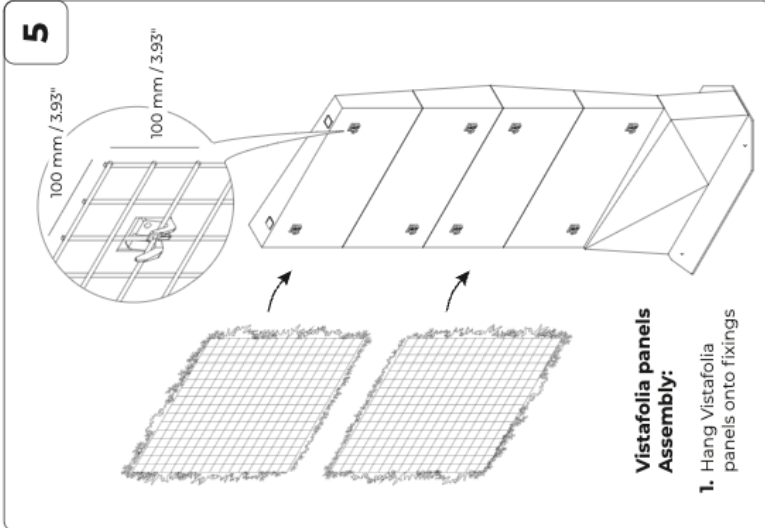
**Foam Panels Assembly:**

1. Slide foam base unit over frame
2. Slide foam panels on frame
3. Insert top caps



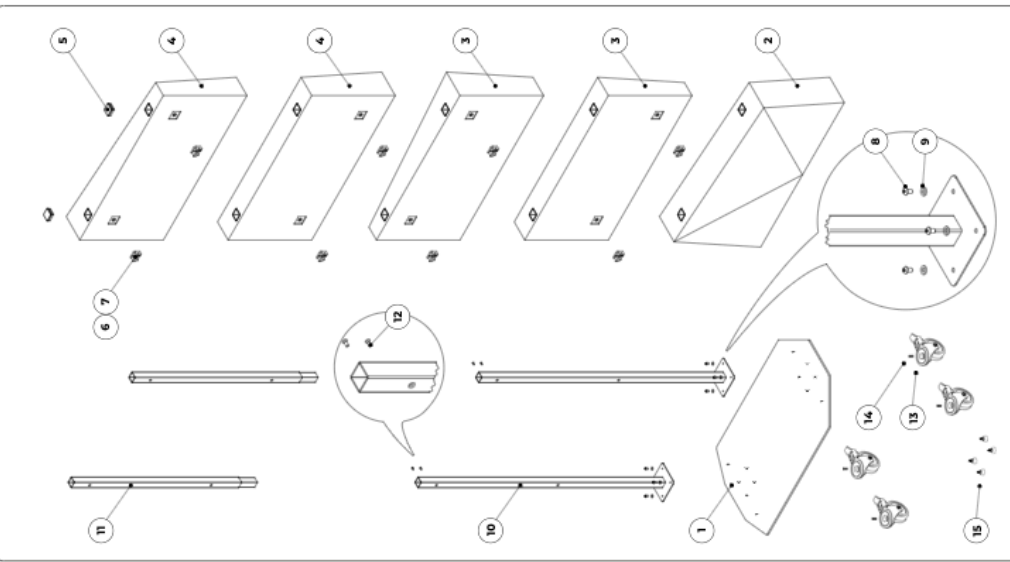
**Fixings:**

- 1 Screw in fixings



**Vistafolia panels Assembly:**

1. Hang Vistafolia panels onto fixings



PART NO	CONTENTS - DESCRIPTION	QTY
1	Base Plate Standard	1
2	Base Panel B	1
3	Panel A1 & A2	2
4	Panel B1 & B2	2
5	Square End Cap	2
6	Fixing	8
7	M5 X 20 Cross Pan Head Screw	8
8	M6 X 10 Hex Socket Button Head Screw	8
9	M6 Washer	8
10	Structural Support (Base)	2
11	Structural Support (Upper)	2
12	M4 X 10 Hex Csk Screw	4
13	Castor Wheel	4
14	M6 Threaded Stud	4
15	M6 Levelling Feet	4

**Tools required:** Allen Key, Screwdriver